

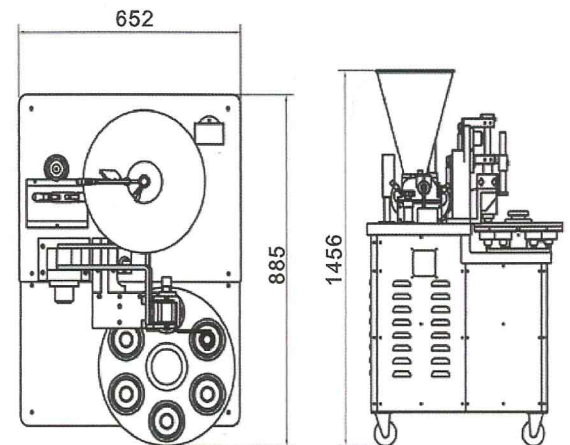
半自動燒賣及點心成型機

手工一樣的精緻與美味

SEMI-AUTO SHU MAI AND DIM SUM ROBOT

Same Tasty As Hand Made

不破壞餡料，可大顆粒或全蝦包入。產品最多樣性·中華美食的精華燒賣·餛飩·小籠包·四方餃·腐皮燒賣·海苔魚燒賣·脆皮蝦餃
Doesn't damage filling, whole grain or shrimp can be filled. Products various & flexible. Spirit of oriental foods.
Shu-Mai Wan-Ton, Different shape of dumpling, Bean skin Shu-mai, Nori-skin Shu-mai, Crisp Shu-mai



鴻英股份有限公司

KING EAGLE INDUSTRIAL CO., LTD.

7-A, No. 123, Sec. 3, Hoping E. Rd., Taipei, Taiwan, R.O.C.

Tel: (02) 27360926 • 27384039 Fax: (02) 27380369

http://www.kei.com.tw

台北市和平東路三段123號7樓A室

電話: (02) 27360926 • 27384039

傳真: (02) 27380369

Email: keicoltd@ms23.hinet.net